



## DV90 Dual View Dumper

Rotation for safety.

More legroom and the exit option in both seating directions enable even safer and more efficient application of the machine. Up to 9 tons of payload not only offers plenty of materials handling per trip, but is also optionally supported by a power engine, which noticeably increases the tractive force and power. Additional safety features complete the power: Hill-hold function, seat belt monitoring and many other highlights think before anything can even happen.

### Highlights

- Swiveling operator's seat with plenty of legroom
- Seat belt monitoring with start release
- Fold-down armrest for entry and exit from both sides
- Power version
- Active Sense Control

### Technical Data

#### Hydraulic

Operating pressure hydraulics	240.0 bar
Hydraulic pump	ZRP
Flow rate	73.0 l/min
Tank capacity	48.0 l

#### Mechanical - Output Details

Nominal rotation speed	2,300.0 1/min
Travel speed	25.0 km/h

#### Mechanical Details

Length	4,622.0 mm
Width	2,420.0 mm
Height	3,483.0 mm
Payload	9,000.0 kg
Skip	Front tip skip
Skip capacity levelled	3,750.0 l
Skip capacity heaped	4,600.0 l
Skip capacity waterlevel	2,400.0 l
Pendulum angle	11.0 °
Operating weight (min.-max.)	4,852.0 - 5,101.0 kg

#### Engine

Cooling	Water-cooling
---------	---------------

Engine type	Diesel engine
Cylinder	4.0
Cylinder capacity	2,924.0 cm <sup>3</sup>
Fuel	Diesel EN 590
Tank capacity	60.0 l
Effective power	55.4 KW
Nominal Engine speed	2,300.0 1/min
Maximum torque	260.0 Nm
Engine speed (max. torque)	1,600.0 1/min
Exhaust-gas limit	EU Stage V
Engine Manufacturer	Deutz
Engine Designation	TD2.9 L4

#### Environment Data

Sound power LWA, guaranteed	101.0 dB(A)
-----------------------------	-------------

#### Chassis

Turning radius	6,620.0 mm
Articulation angle	28.0 °
Hydraulic Pump	Axialpistonpump
Flow rate	123.0 l/min

#### Shipping and Storage

Shipping weight	4,545.0 kg
-----------------	------------

## Available engines

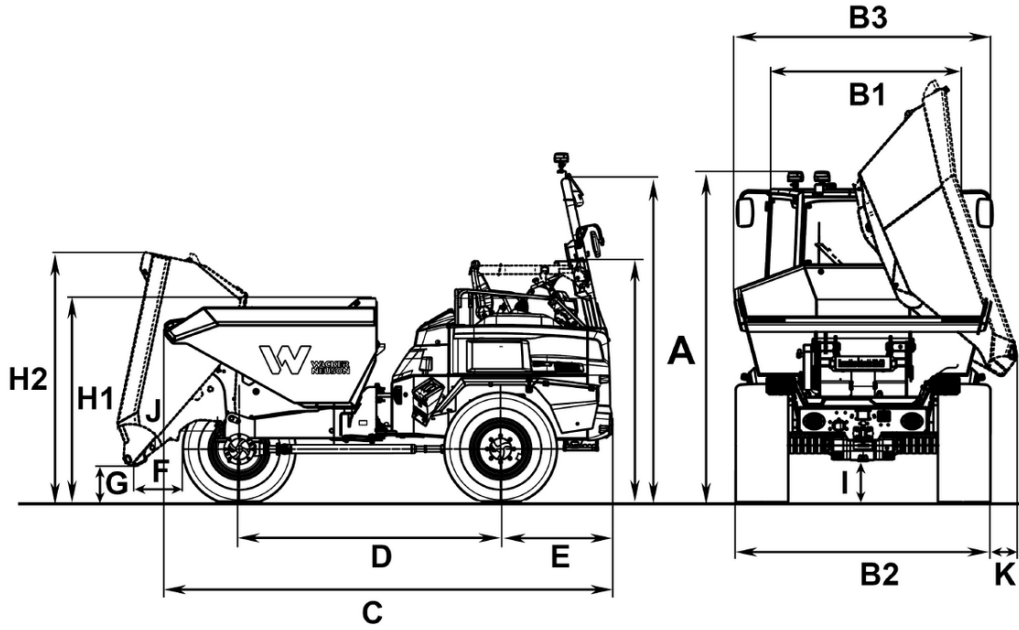
### 100 kW Turbo diesel engine (Stage 5)

Engine type	Diesel engine
Effective power	100 kW
Nominal Engine speed	2,300 1/min
Starter battery Voltage	12 V
Engine Manufacturer	Deutz
Engine Designation	TCD3.6 L4

### 55,4 kW Diesel engine (Stage 5)

Cooling	Water-cooling
Engine type	Diesel engine
Engine operating mode	four-stroke
Cylinder	4
Cylinder capacity	2,924 cm <sup>3</sup>
Power rating max.	55.4 kW
Engine speed (Power max.)	2,300 1/min
Engine Manufacturer	Deutz
Engine Designation	TCD 2,9 L4
Alternator	12V DC - 95A

## Dimensions



A	Height ROPS	3,483 mm
	Height ROPS with rotating beacon	3,593 mm
A	Height of ROPS tilted	2,473 mm
	Height with cab	2,974 mm
A	Height of cab with rotating beacon	3,139 mm
B1	Width of cab	1,629 mm
B2	Width of vehicle	2,420 mm
B3	Width of skip	2,486 mm
C	Total length ROPS	4,622 mm
	Total length of cab	4,622 mm
D	Wheel base	2,700 mm
E	Rear overhang	1,157 mm
F	Dumping width	674 mm
G	Dumping height max.	365 mm
H1	Skip height	2,099 mm
H2	Skip height tilted	2,573 mm
I	Ground clearance	390 mm
J	Dumping angle	49 mm