



DT05e

Electric Track Dumper

Small but powerful!

The DT05e can be maneuvered through almost any opening, even in closed spaces, without any problems. Thanks to the emissions-free operation, even in closed spaces or in environmentally sensitive environments. With optimum coordination of loading and operating times, it offers additional application options and reduced downtimes. The costs decrease, the possibilities for use multiply - efficiency in a nutshell.

Highlights

- Quiet and versatile
- Economic efficiency in a nutshell
- Emission-free and environmentally friendly
- Powerful, without compromise
- Small dimensions

Technical Data

■ Mechanical - Output Details

Gradeability	20.0 %
Travel speed	1.5 - 3.0 km/h

■ Mechanical Details

Length	1,670.0 mm
Width	660.0 mm
Height	1,310.0 mm
Payload max.	500.0 kg
skip	Front tip skip
skip capacity levelled	273.0 l

Skip capacity heaped	313.0 l
Operating weight (min.-max.)	980.0 - 1,050.0 kg

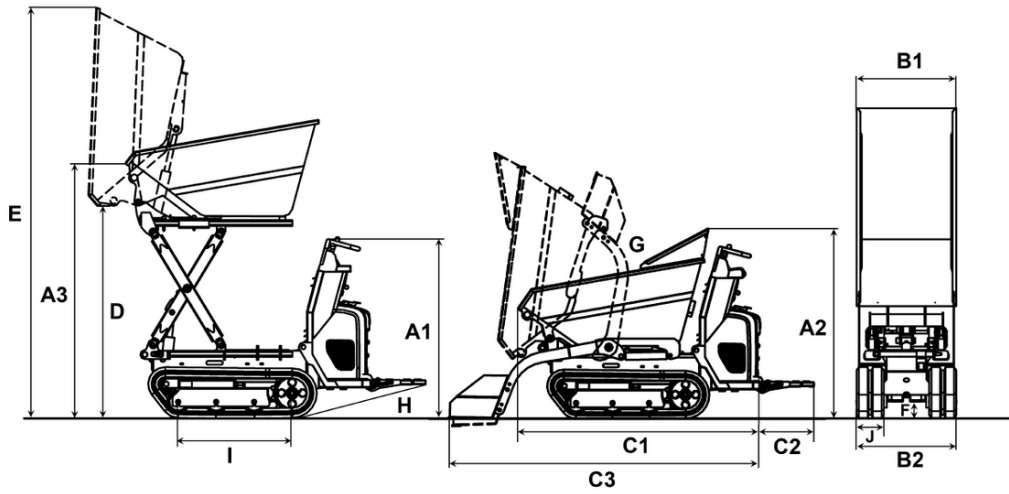
■ Motor

Nominal power	5.50 KW
Nominal voltage	45.0 V
Nominal speed	2,850.0 1/min

■ Electrical System

Charging Time	8.0 - 10.0 h
Type of battery	LiFePO4

Dimensions



A1	Height above operator's stand	1,185 mm
A2	Height over skip hand guard	1,310 mm
A3	Height front edge of skip	759 mm
B1	Width of skip	700 mm
	Width of vehicle	660 mm
B2	Width with self-loading equipment	660 mm
C1	Total length	1,670 mm
C2	Length footboard	365 mm
C3	Length with self-loading equipment, without footboard	2,149 mm
D	Dumping height max.	410 mm
E	Skip height tilted	1,827 mm
F	Ground clearance	110 mm
G	Dumping angle	72 °
H	Rollback angle footboard	14 °
I	Length chain stand	753 mm