



803

Tracked Conventional Excavator

the smallest that can also be emission-free

The 803 is the smallest Wacker Neuson excavator - but leaves absolutely nothing to be desired in terms of performance. Its narrow width of only 700 mm allows it to fit perfectly through interior doors, while its rubber tracks protect the flooring. This means it fits perfectly through interior doors and is gentle on the floor covering thanks to its rubber tracks. Special attention was paid to the hydraulic performance. Attachments, such as the tuned Wacker Neuson hydraulic breaker, can be operated without any problems using the standard auxiliary hydraulics. With the optional electro-hydraulic unit (HPU), the mini-excavator is ideal for emission-sensitive job sites and can be operated with the same output electrically, with no fumes.

Highlights

- Folding ROPS safety bar
- Standard one-way auxiliary hydraulics
- Highest engine power in its class
- Hydraulic telescopic chassis with dozer blade extension
- Easy transportation by car trailer

Technical Data

Hydraulic

Operating pressure hydraulics	170.0 bar
Hydraulic pump	ZRP
flow rate	23.0 l/min
tank capacity	14.0 l

Mechanical - Output Details

Travel speed	1.8 km/h
--------------	----------

Mechanical Details

Length	2,746.0 mm
Width	730.0 mm
Height	1,507.0 mm
Operating weight (min.-max.)	1,029.0 - 1,115.0 kg
Digging depth (max.)	1,763.0 mm

Engine

Cooling	Water-cooling
Engine type	Diesel engine
Cylinder	3.0

Cylinder capacity	854.0 cm ³
Inclined position max.	30.0 °
Tank capacity	10.0 l
Effective power	9.9 KW
Nominal Engine speed	2,100.0 1/min
Starter battery Voltage	12.0 V
Battery capacity (nom. value)	20.0 Ah
Engine Manufacturer	Yanmar
Engine Designation	3TNV70

Environment Data

Sound power LWA, guaranteed	93.0 dB(A)
-----------------------------	------------

Operating Fluids

Fuel specification	Diesel EN 590
--------------------	---------------

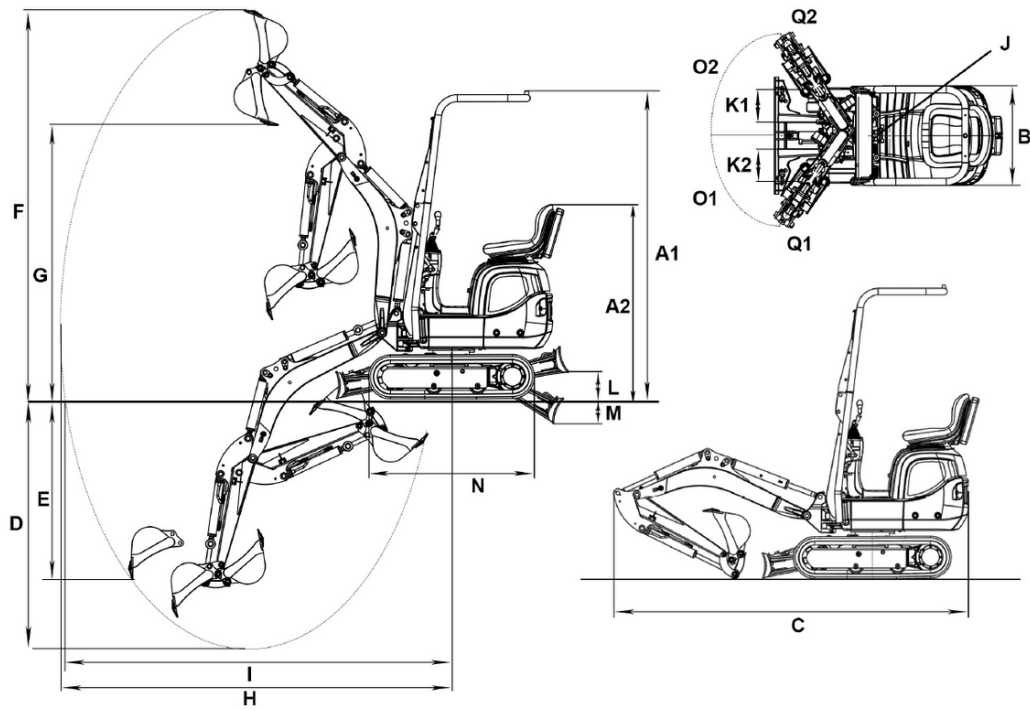
Chassis

operating pressure	170.0 bar
--------------------	-----------

Shipping and Storage

Shipping weight	932.0 kg
-----------------	----------

Dimensions



A1	Height ROPS	2,261 mm
A2	Height of ROPS tilted	1,427 mm
B	Width of upper carriage	730 mm
	Width travel gear	860 mm
	Width travel gear retracted	700 mm
C	Transport length	2,828 mm
D	Digging depth max.	1,763 mm
E	Piercing depth max.	1,320 mm
F	Piercing height max.	2,857 mm
G	Dumping height max.	2,012 mm
H	Digging radius max.	3,090 mm
I	Max. reach at ground level	3,028 mm
J	Tail swing radius	747 mm
K1	Boom offset max. (to center of bucket right side)	245 mm
K2	Boom offset max. (to center of bucket left side)	283 mm
M	Digging depth max. (dozer blade below surface)	178 mm
N	Length travel drive	1,220 mm
O1	Max. swivel angle (arm system to the left)	55 °
O2	Max. swivel angle (arm system to the right)	56 °
Q2	Boom swing radius right	1,085 mm
Q1	Boom swing radius left	1,039 mm